

Assembly Instructions

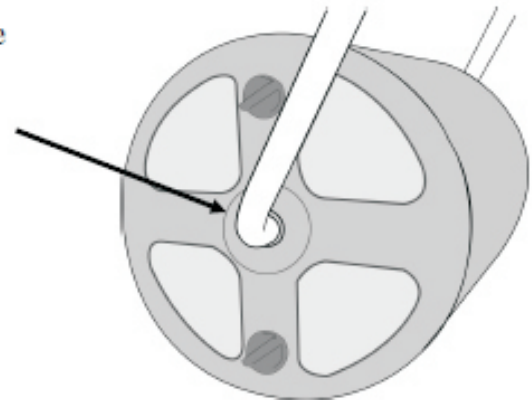
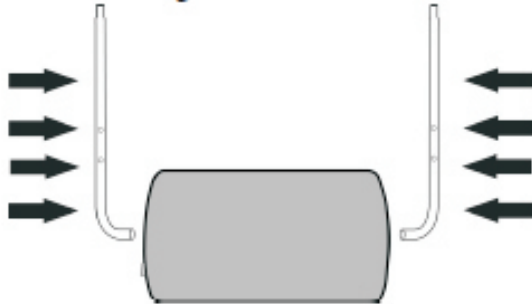
REV-A 21/4/10

MODEL 60PLR

60L Water Roller

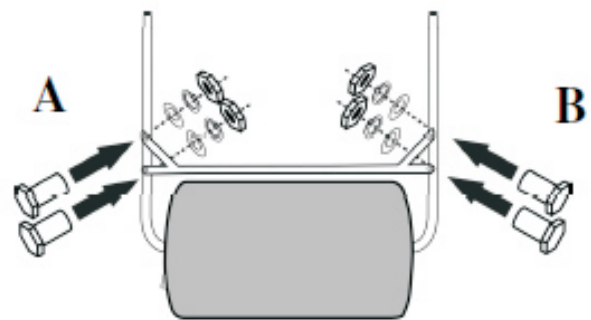
Step 1.

Lay the roller on an even surface. Slot each handle into the metal bearing that is in each end of the roller



Step 2.

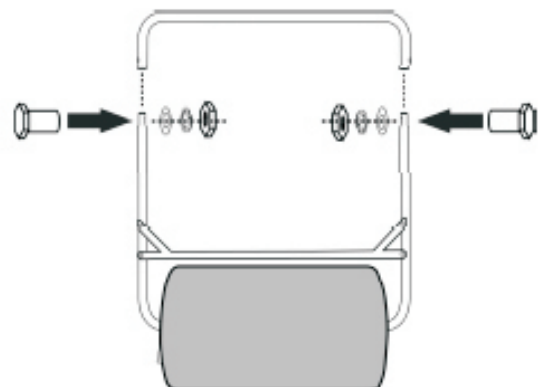
Attach the Scraper bar to each handle with the supplied bolts, nuts, washer and spring washers. **Note:** For ease of handling, fit both bolts to the scraper bar on side 'A' then fit both bolts to side 'B'. you may have pull or lean on the handle



Step 3.

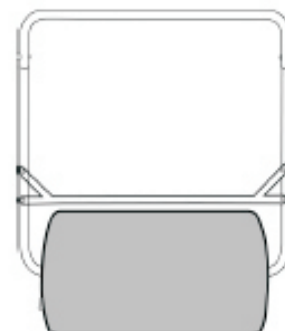
Slot the final part of the handle over the smaller handle parts as shown in diagram on the right. Then fit the supplied bolts, nuts, washer and spring washers to complete the build.

You may have pull or lean on the handles to align the third piece as you slot the handle together. This is so in order to give the handle a firm grip of the roller.



Step 4.

Ensure all nuts and bolts are tightly fitted and you are ready to roll.

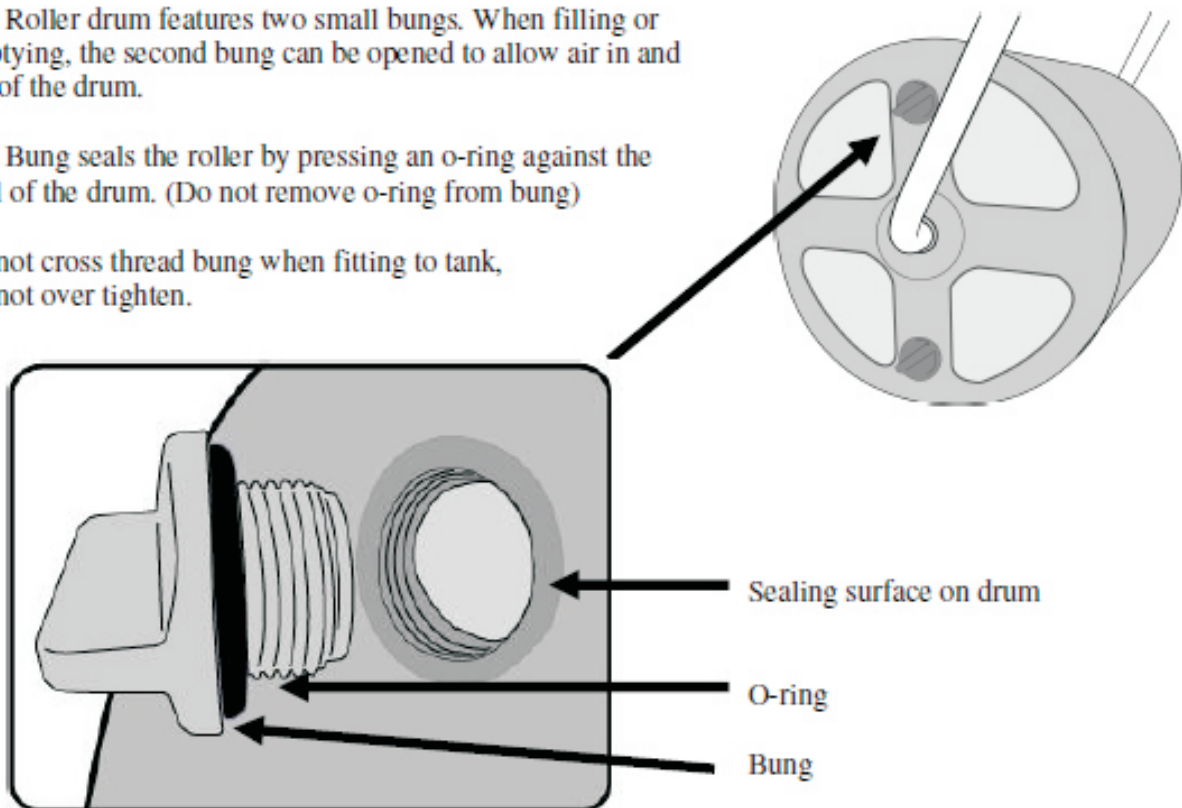


Basics of operation

The Roller drum features two small bungs. When filling or emptying, the second bung can be opened to allow air in and out of the drum.

The Bung seals the roller by pressing an o-ring against the wall of the drum. (Do not remove o-ring from bung)

Do not cross thread bung when fitting to tank,
Do not over tighten.



Spare Parts & Service
Phone: 1300 554 524
Freecall Fax: 1800 636 281
spareparts@crommelins.com.au

WA Metro: 9350 5588
WA Country: 1800 655 588
East Coast 1300 650 659
email@crommelins.com.au